

# Split-core High Accuracy Current Sensors

## SPECIFICATIONS



### SC4 "SCREW-LOCK"

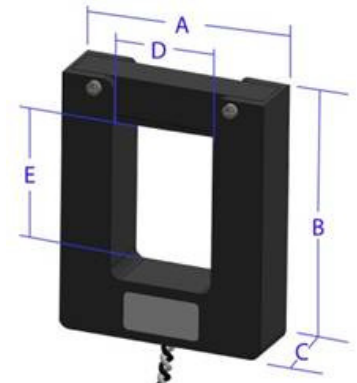
- 800A - 6000A
- Accuracy:  $\pm 0.6\%$
- Phase angle: 0.5 degrees

### SCN "SNAP-TOP"

- 1A - 600A
- Accuracy:  $\pm 0.2\%$
- Phase angle: 0.2 degrees

## COMMON FEATURES

- Easily clamp around existing conductors.
- Output 333mV at rated current.
- Fundamental frequency: 50Hz to 400Hz.
- Crest factor (peak measurement): 3.5 times nominal CT rating.
- Leads: 25ft (7.62m), 18 AWG twisted pair, 600V rating, white Positive (+).
- For use with XCT5-0.333V-00 and CTE1-10T-0.333V-00 Current Transformer Interface Modules.
- UL Recognized.



# Split-core High Accuracy Current Sensors

## SCN “Snap-Top”

Rated	PSL Part Number	Design	Dimensions - mm (inches)				
Current			A	B	C	D	E
1A	SCN2-1A:333mV-0.4	Snap-top	61 (2.40")	42 (1.65")	29 (1.12")	10 (0.4")	10 (0.4")
5A	SCN2-5A:333mV-0.4	Snap-top	61 (2.40")	42 (1.65")	29 (1.12")	10 (0.4")	10 (0.4")
20A	SCN3-20A:333mV-0.7	Snap-top	78 (3.08")	60 (2.37")	29 (1.14")	18 (0.7")	18 (0.7")
50A	SCN3-50A:333mV-0.7	Snap-top	78 (3.08")	60 (2.37")	29 (1.14")	18 (0.7")	18 (0.7")
100A	SCN3-100A:333mV-0.7	Snap-top	78 (3.08")	60 (2.37")	29 (1.14")	18 (0.7")	18 (0.7")
150A	SCN3-150A:333mV-0.7	Snap-top	78 (3.08")	60 (2.37")	29 (1.14")	18 (0.7")	18 (0.7")
200A	SCN4-200A:333mV-1.25	Snap-top	83 (3.27")	81 (3.17")	35 (1.39")	32 (1.25")	32 (1.25")
300A	SCN4-300A:333mV-1.25	Snap-top	83 (3.27")	81 (3.17")	35 (1.39")	32 (1.25")	32 (1.25")
400A	SCN4-400A:333mV-1.25	Snap-top	83 (3.27")	81 (3.17")	35 (1.39")	32 (1.25")	32 (1.25")
500A	SCN4-500A:333mV-1.25	Snap-top	83 (3.27")	81 (3.17")	35 (1.39")	32 (1.25")	32 (1.25")
600A	SCN4-600A:333mV-1.25	Snap-top	83 (3.27")	81 (3.17")	35 (1.39")	32 (1.25")	32 (1.25")

## SC4 “Screw-Lock”

Rated	PSL Part Number	Design	Dimensions - mm (inches)				
Current			A	B	C	D	E
800A	SC4L-800A:333mV-2.0x3.0	Screw lock	102 (4.0")	127 (5.0")	31 (1.2")	51 (2.0")	76 (3.0")
1000A	SC4L-1000A:333mV-2.5x2.5	Screw lock	127 (5.0")	114 (4.5")	33 (1.3")	64 (2.5")	64 (2.5")
1500A	SC4L-1500A:333mV-2.5x5.5	Screw lock	127 (5.0")	191 (7.5")	33 (1.3")	64 (2.5")	140 (5.5")
2000A	SC4L-2000A:333mV-4.0x4.0	Screw lock	165 (6.5")	160 (6.3")	33 (1.3")	102 (4.0")	102 (4.0")
3000A	SC4L-3000A:333mV-4.0x6.0	Screw lock	173 (6.8")	216 (8.5")	38 (1.5")	102 (4.0")	152 (6.0")
4000A	SC4L-4000A:333mV-4.0x6.0	Screw lock	173 (6.8")	216 (8.5")	38 (1.5")	102 (4.0")	152 (6.0")
5000A	SC4L-5000A:333mV-4.0x7.0	Screw lock	203 (8.0")	229 (9.0")	46 (1.8")	102 (4.0")	178 (7.0")
6000A	SC4L-6000A:333mV-5.0x7.0	Screw lock	216 (8.5")	229 (9.0")	51 (2.0")	127 (5.0")	178 (7.0")