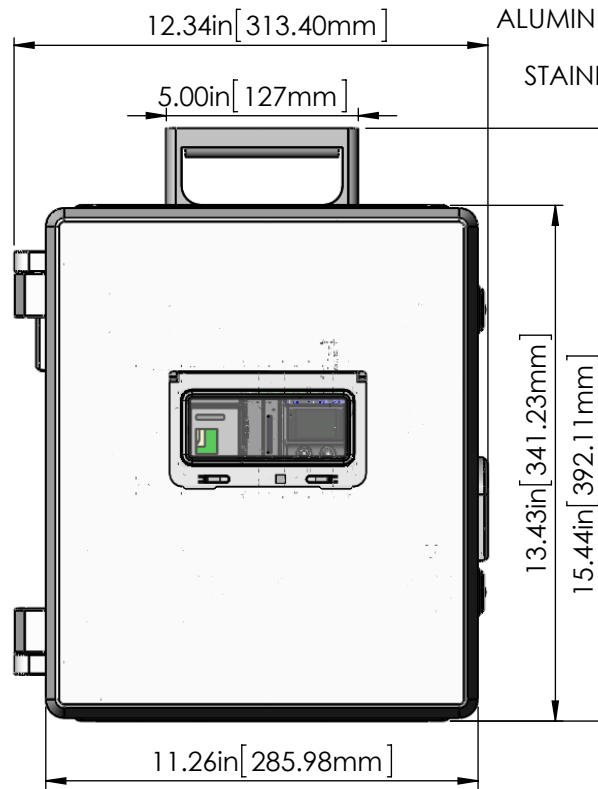
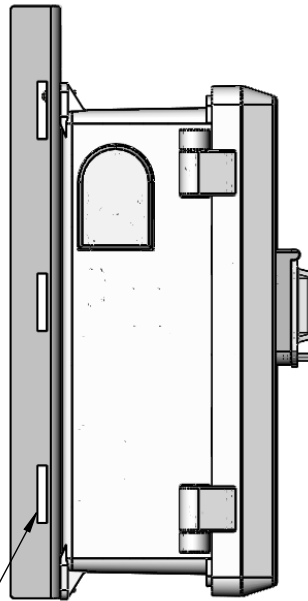


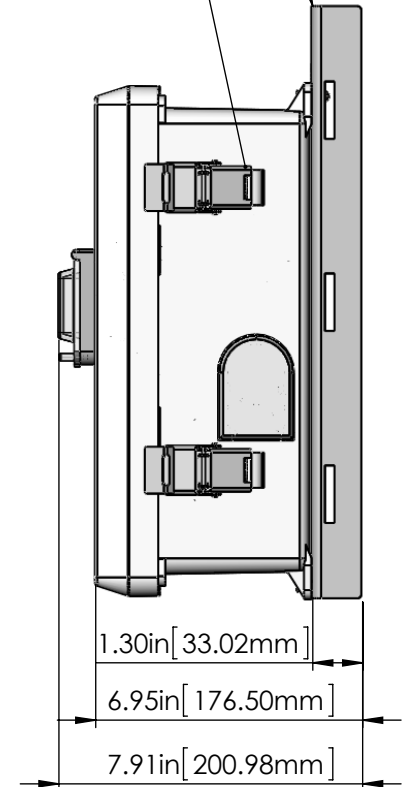
HINGED VIEWING/ACCESS WINDOW

1.5" x 0.25" BANDING SLOTS



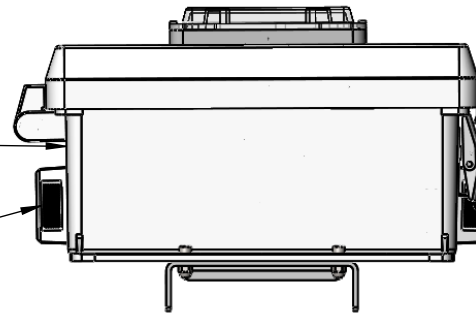
ALUMINUM POLE-MOUNT BRACKET

STAINLESS STEEL LOCKABLE CLASPS



FIBERGLASS-REINFORCED PLASTIC ENCLOSURE

WEATHERPROOF VENTILATION COVER (2)



PROPRIETARY AND CONFIDENTIAL
 THE INFORMATION CONTAINED IN THIS DRAWING IS THE SOLE PROPERTY OF POWER STANDARDS LAB. ANY REPRODUCTION IN PART OR AS A WHOLE WITHOUT THE WRITTEN PERMISSION OF POWER STANDARDS LAB IS PROHIBITED.

		DIMENSIONS ARE IN INCHES TOLERANCES: FRACTIONAL ± ANGULAR: MACH ± BEND ± TWO PLACE DECIMAL ± THREE PLACE DECIMAL ±	NAME	DATE
		MATERIAL		
		FINISH		
NEXT ASSY	USED ON		COMMENTS:	
APPLICATION		DO NOT SCALE DRAWING		

PSL Power Standards Lab

Assy, PQiaB with Pole Mount Bracket, Basic Dimensions

SIZE	DWG. NO.	REV.
A	850-000015	-12
SCALE:1:10	WEIGHT:	SHEET 1 OF 1