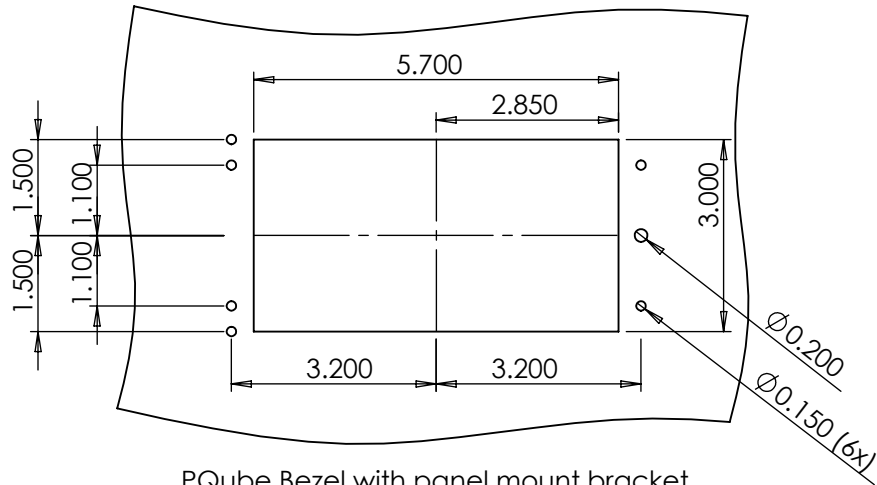
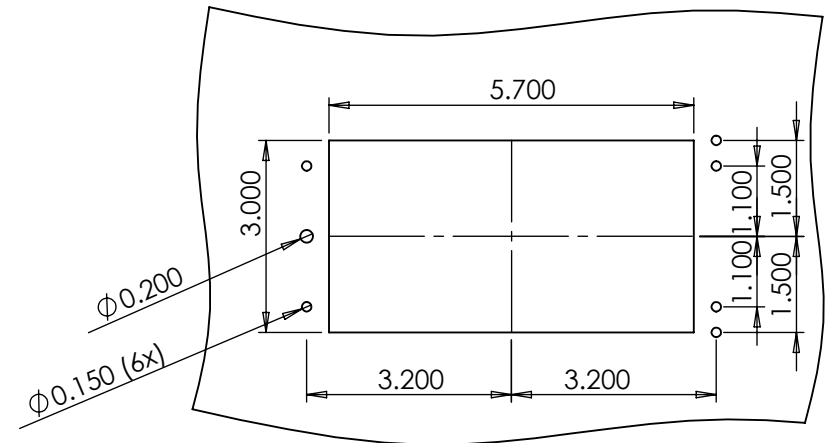


PQube Bezel with no panel mount bracket

VIEWED FROM FRONT SIDE OF PANEL



PQube Bezel with panel mount bracket hinged on left side



PQube Bezel with panel mount bracket hinged on right side

PROPRIETARY AND CONFIDENTIAL
 THE INFORMATION CONTAINED IN THIS DRAWING IS THE SOLE PROPERTY OF POWER STANDARDS LAB. ANY REPRODUCTION IN PART OR AS A WHOLE WITHOUT THE WRITTEN PERMISSION OF POWER STANDARDS LAB IS PROHIBITED.

		DIMENSIONS ARE IN INCHES TOLERANCES: FRACTIONAL ± ANGULAR: MACH ± BEND ± TWO PLACE DECIMAL ± THREE PLACE DECIMAL ±	NAME	DATE	PSL Power Standards Lab
		MATERIAL --	DRAWN		
		FINISH --	CHECKED		SIZE A DWG. NO. 850-000014 REV. -01
NEXT ASSY	USED ON		ENG APPR.		
APPLICATION		DO NOT SCALE DRAWING	MFG APPR.		WEIGHT:
			Q.A.		SHEET 1 OF 1
			COMMENTS:		