

# PQube<sup>®</sup> 3 Pre-wired rugged wall-mount

## For a quick and easy wall-mount installation – comes with a convenient access window

Get your PQube 3 pre-packaged in an indoor/outdoor rugged wall-mount enclosure.

It's IP44 rated, vented, made from non-corrosive polycarbonate, and comes with a hinged window for color touchscreen display viewing or access.

You don't need a separate instrument power source - the instrument powers from the monitored line voltage.

Easily connects to the Internet using cell-modem- ready option. Your PQube 3 emails reports directly to your inbox. No software required!



### Product Highlights

PQube 3 Power Analyzer, pre-packaged in a rugged polycarbonate indoor/outdoor enclosure with hinged viewing/access window.

- Easy/safe field wiring - Quick connect terminal and fuse blocks. Just drill holes for your conduit or cable glands, connect wiring, and you're ready to go!
- Rugged and Safe - IP44, high voltage rated, corrosion resistant outdoor enclosure
- Hinged window permits safe touch screen display access - for configuration and real-time meter viewing
- Self-powered: your PQube 3 is powered from the measured voltage
- UPS battery-backed - comes with 1-hour battery backup
- Secure - comes with padlockable door clasps
- Wide measurement voltage range - 100~480Vac
- Eight current channels - compatible with IP65 rated split-core and flexible current sensors
- Additional I/O: Relay output, 4 analog inputs and digital input

### Options/Accessories

- **Integrated modem mounting kit for your cell modem**  
Includes an internal modem mounting plate, 2 indoor/outdoor antennas on the enclosure, internal antenna and Ethernet cables, and 24Vdc for your modem (ask about 12Vdc modem applications).  
Compatible modems: Landcell 882, Airlink Raven XE, Airlink GX, MultiModem rCell.



- **Integrated ultra-precise isolated GPS receiver**  
Includes a plug-in high-accuracy MS1 time synchronization module, and an isolated GPS1 receiver mounted on the enclosure.

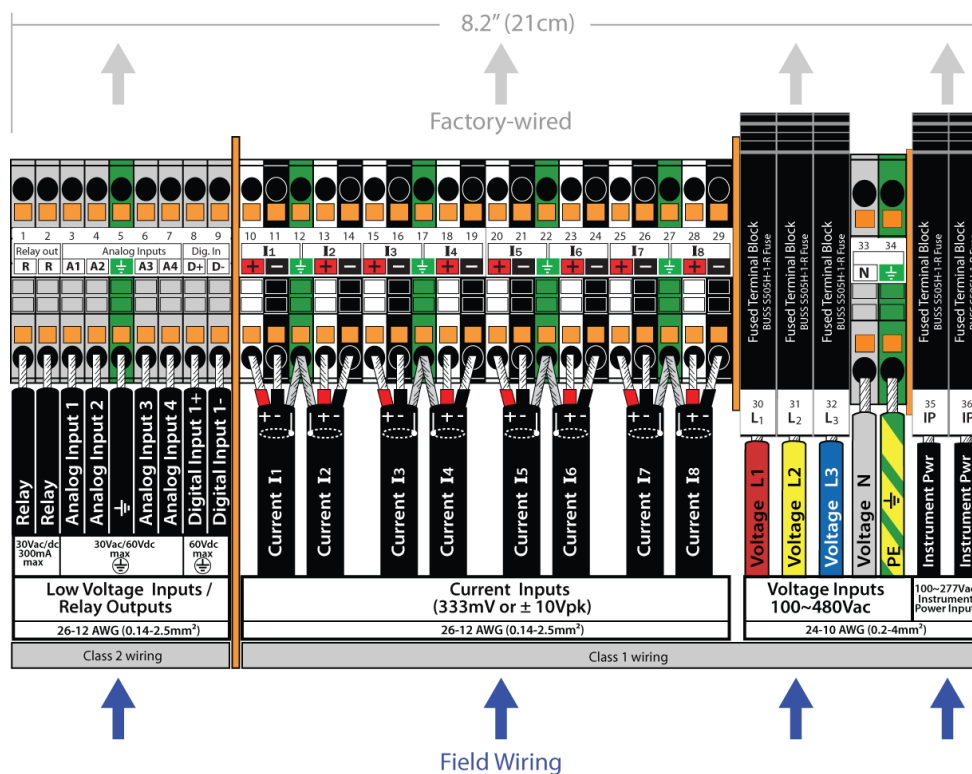
- **Remote mount kits for GPS receiver/cell modem antennas**  
Includes [Remote Antenna Bracket](#) and outdoor rated cables.



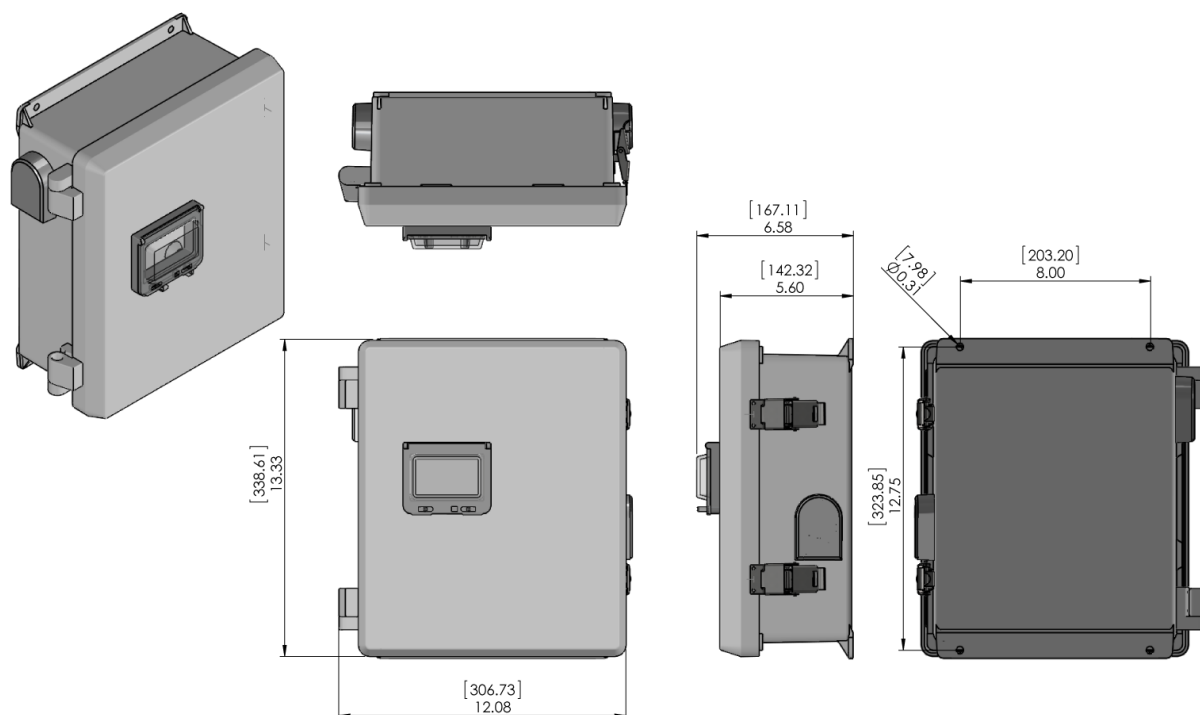
## Specifications

Characteristics	
Temperature	Ambient: -20°C ~ +50°C
Humidity	Range: 0%~ 90%RH
Protection Rating	IP44
Field Wire Gauge	Low Voltage Inputs/Relay Outputs/Current Inputs: 26-12 AWG (0.14-2.5mm <sup>2</sup> ) Voltage Inputs/Instrument Power Inputs: 24-10AWG (0.2-4mm <sup>2</sup> )
Voltage Input Range	100~480Vac
Current Input Range	333mV or +/- 10V peak (through split-core CT's or flexible CT's)
UPS Backup	5 minutes to 1 hour - user configurable
Weight	12 lbs (5.5kg)
Material	Polycarbonate with stainless steel claps

## Field Wiring Connections



## Dimensions



## Order Information

<b>Rugged Pole Mount (Base Model)</b>	P/N: PQ3iaB-Rugged-Wall-000-0000-00
<b>Add a modem mounting kit for your cell modem</b>	P/N: PQ3iaB-Rugged-Wall-M24-XXXX-00
<b>Add an integrated ultra-precise isolated GPS receiver</b>	P/N: PQ3iaB-Rugged-Wall-XXX-GPS1-00
<b>Add modem mounting kit <u>and</u> an ultra-precise GPS receiver</b>	P/N: PQ3iaB-Rugged-Wall-M24-GPS1-00
<b>Remote mount kits for GPS receiver/cell modem antennas:</b>	
Remote Cell Antenna Mounting Kit (for 2 antennas)	P/N: RAK-4M-00
Remote GPS1 Receiver Mounting Kit	P/N: RGPS1K-4M-00
Remote Cell Antenna and GPS1 Mounting Kit	P/N: RAGPS1K-4M-00

